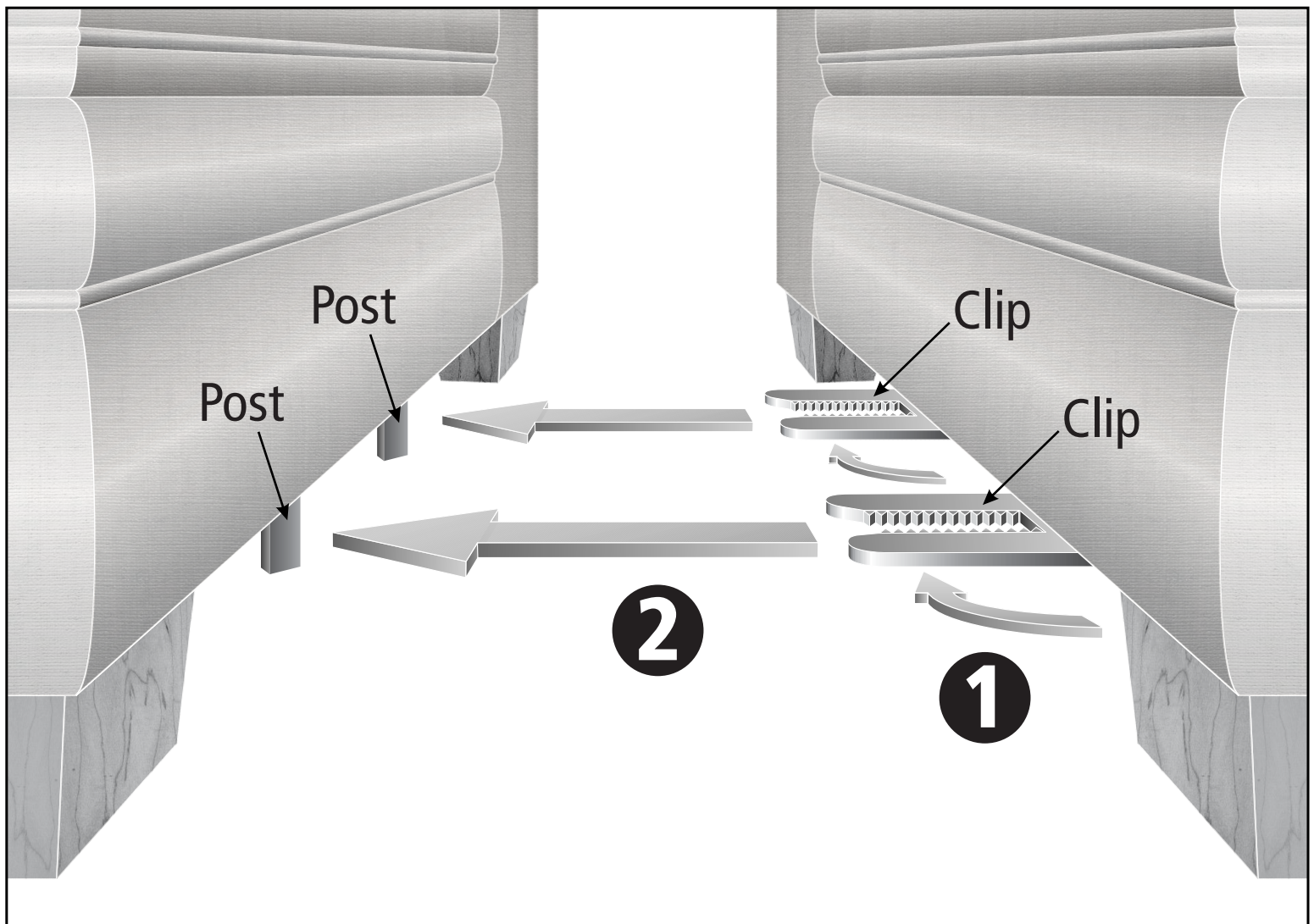


# Stationary Sectional Assembly



- 1** Rotate the clips out so they are perpendicular to the base. Line up the clips with the posts on the next piece.
- 2** Push the pieces together until there is no gap between the two pieces.

## Stationary Sectional Disassembly

**1**

Lift the piece with the posts up at least 3" so the posts are clear of the clips.

**2**

Pull the piece with the posts away from the piece with the clips until it is clear of the clips.

