



CONSOLE DETAIL



CORDED HAND CONTROL ON M104-69



FEATURES:

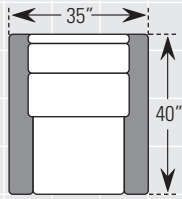
- BACK STYLE:** Bustle back
- NAILHEAD:** Small size (size/configuration shown standard)
Nailhead cannot be removed from this style
Rubbed Bronze shown (see samples for color selection)
- WOOD FINISH:** Espresso shown. Console features an optional wood tray (see samples for color selection)
- DESIGN NOTE:** The Wedge (-53) does not feature a reversible cushion, but all other fabric seat cushions may be flipped.
Activator switches on motorized recliners feature a USB port.
Motorized Reclining Armless Chair (-69) features a corded hand control.
The Console (-71) features a pop-up charging station and drawer.

DIMENSIONS:

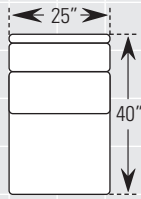
		Width	Depth	Height	Inside Width	Seat Height	Seat Depth	Arm Height	Overall Length Fully Reclined	Wall Clearance Needed	Footrest Extension	
►	M104-66*	LAF Motorized Reclining Chair (shown)	30	40	42	24	21	20	25	70	5	19
►	M104-67*	RAF Motorized Reclining Chair (shown)	30	40	42	24	21	20	25	70	5	19
	M104-74	LAF Manual Reclining Chair	30	40	42	24	21	20	25	70	5	19
	M104-75	RAF Manual Reclining Chair	30	40	42	24	21	20	25	70	5	19
►	M104-36	Stationary Armless Chair (shown)	25	40	42	25	21	20	-	-	-	-
►	M104-69*	Motorized Reclining Armless Chair (shown)	25	40	42	25	21	20	-	70	5	19
►	M104-53	Wedge (shown)	79	40	42	-	21	20	-	-	-	-
►	M104-71	Console (shown)	18	39	24	-	-	-	-	-	-	-
►	WC-101	Wood Console Tray (shown)	19	21	4	-	-	-	-	-	-	-
	M104-37	Manual Reclining Chair	35	40	42	22	21	20	25	70	5	19
	M104-38*	Motorized Reclining Chair	35	40	42	22	21	20	25	70	5	19
	M104-59	Swivel Glider Reclining Chair	35	40	42	22	21	20	25	69	13	19
	M104-78*	Motorized Swivel Glider Reclining Chair	35	40	42	22	21	20	25	66	13	17
►	M104-91	Glider Reclining Chair (shown)	35	40	42	22	21	20	25	69	13	19
	M104-92*	Motorized Glider Reclining Chair	35	40	42	22	21	20	25	66	13	17

*Battery Pack Available

M104 RECLINING SECTIONAL

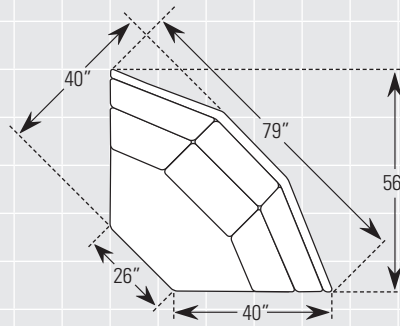


ITEM #37 MANUAL RECLINER
ITEM #38 MOTORIZED RECLINER
ITEM #59 SWIVEL GLIDER RECLINER
ITEM #78 MOTORIZED SWIVEL GLIDER RECLINER
ITEM #91 GLIDER RECLINER
ITEM #92 MOTORIZED GLIDER RECLINER
INSIDE WIDTH: 22"



ITEM #36
STATIONARY
ARMLESS CHAIR

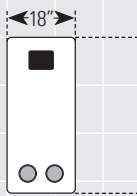
ITEM #86
MOTORIZED
ARMLESS RECLINING CHAIR



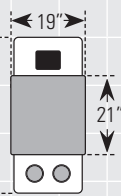
ITEM #53
WEDGE

DIAGRAMS 1/4" = 1'

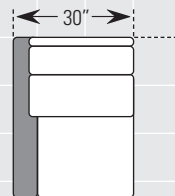
LAF = Left Arm Facing
RAF = Right Arm Facing



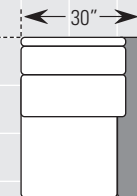
ITEM #71
CONSOLE
HEIGHT: 24"



OPTION #WC-101
WOOD CONSOLE TRAY
SHOWN WITH CONSOLE (-71)
HEIGHT WITH TRAY: 25"



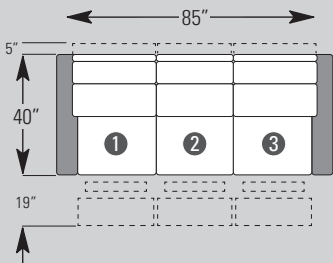
ITEM #66 LAF MOTORIZED
RECLINING CHAIR
ITEM #74 LAF MANUAL
RECLINING CHAIR
INSIDE WIDTH: 24"



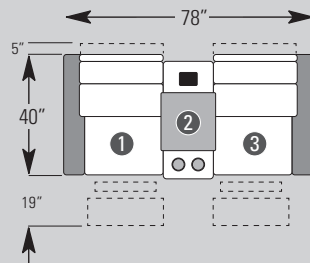
ITEM #67 RAF MOTORIZED
RECLINING CHAIR
ITEM #75 RAF MANUAL
RECLINING CHAIR
INSIDE WIDTH: 24"



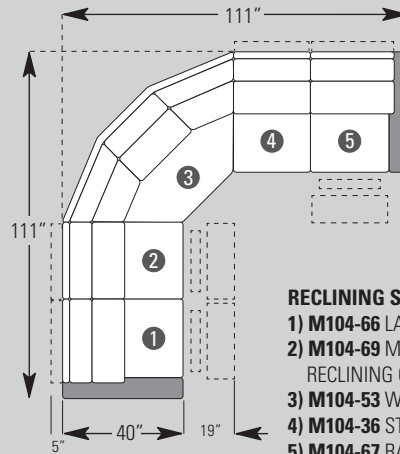
EXAMPLE COMBINATIONS Example diagrams are not to scale.



3-CUSHION RECLINING SOFA:
1) M104-66 LAF MOTORIZED RECLINING CHAIR
2) M104-69 MOTORIZED ARMLESS RECLINING CHAIR
3) M104-67 RAF MOTORIZED RECLINING CHAIR



RECLINING LOVESEAT WITH CONSOLE:
1) M104-66 LAF MOTORIZED RECLINING CHAIR
2) M104-71 CONSOLE WITH OPTIONAL
WC-101 WOOD CONSOLE TRAY
3) M104-67 RAF MOTORIZED RECLINING CHAIR



RECLINING SECTIONAL WITH WEDGE:
1) M104-66 LAF MOTORIZED RECLINING CHAIR
2) M104-69 MOTORIZED ARMLESS
RECLINING CHAIR
3) M104-53 WEDGE*
4) M104-36 STATIONARY ARMLESS CHAIR
5) M104-67 RAF MOTORIZED RECLINING CHAIR

*The Wedge (-53) must be attached to a Stationary Chair (-36) on at least one end so that recliner footrests can all open at the same time without interference.

032025N

M104 RECLINING SECTIONAL

Choose from a variety of different pieces to create an infinite number of combinations. Each piece is a single seat, and our innovative bracket system allows you to position them in any configuration; from a simple reclining sofa to a custom-sized sectional. This bracket system keeps the units together and prevents shifting or separating. Note that armless sides have exposed connector brackets, so all configurations must have an arm at both the left and right ends.

All dimensions are approximate and subject to change without notice. See www.smithbrothersfurniture.com for more information.

COMMON DIMENSIONS

These dimensions are the same for all pieces in this group unless otherwise noted.

OVERALL HEIGHT	42"
SEAT HEIGHT	21"
SEAT DEPTH	20"
ARM HEIGHT	25"
RECLINER FOOTREST EXTENSION	19"
MOTORIZED SWIVEL GLIDER/GLIDING RECLINER (-78, 92)	17"
WALL CLEARANCE NEEDED	5"
SWIVEL GLIDER/GLIDING RECLINERS (-59, 78, 91, 92)	13"
OVERALL LENGTH FULLY RECLINED	70"
SWIVEL GLIDER/GLIDING RECLINER (-59, 91)	69"
MOTORIZED SWIVEL GLIDER/GLIDING RECLINER (-78, 92)	66"

S|B
M104
 LEATHER



FEATURES:

- BACK STYLE:** Bustle inside back
- NAILHEAD:** Small size (*size/configuration shown standard*)
 Nailhead cannot be removed from this style
 Rubbed Bronze shown (*see samples for color selection*)
- DESIGN NOTE:** Activator switches on motorized recliners feature a USB port.

DIMENSIONS:

		Width	Depth	Height	Inside Width	Seat Height	Seat Depth	Arm Height	Overall Length Fully Reclined	Wall Clearance Needed	Footrest Extension
M104-37	Manual Reclining Chair	35	40	42	22	21	20	25	70	5	19
M104-38*	Motorized Reclining Chair	35	40	42	22	21	20	25	70	5	19
M104-59	Swivel Glider Reclining Chair	35	40	42	22	21	20	25	69	13	19
M104-78*	Motorized Swivel Glider Reclining Chair	35	40	42	22	21	20	25	66	13	17
M104-91	Glider Reclining Chair	35	40	42	22	21	20	25	69	13	19
▶ M104-92*	Motorized Glider Reclining Chair (<i>shown</i>)	35	40	42	22	21	20	25	66	13	17

*Battery Pack Available